

12VOLT

John Deere DUAL FORCE

cod. IGOD05500



JOHN DEERE
LICENSED PRODUCT

USO E MANUTENZIONE **IT**

USE AND CARE **EN**

UTILISATION ET ENTRETIEN **FR**

GEBRAUCH UND WARTUNG **DE**

EMPLEO Y MANUTENCION **ES**

USO E MANUTENÇÃO **PT**

UPORABA IN VZDRŽEVANJE **SL**

PegPerego

made in canada

BRUGSANVISNING **DA**

KÄYTTÖOHJE **FI**

BRUKSANVISNING **NO**

BRUKSANVISNING **SV**

GEBRUIK EN ONDERHOUD **NL**

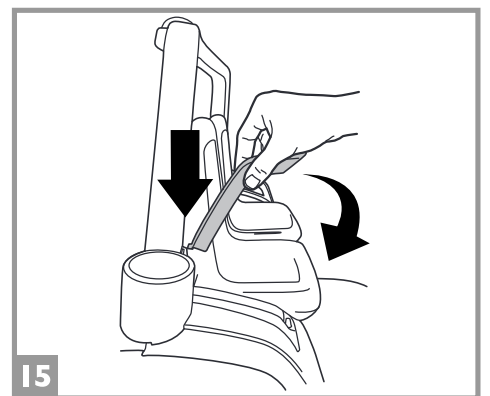
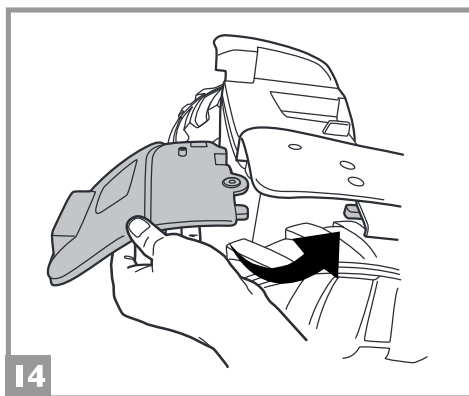
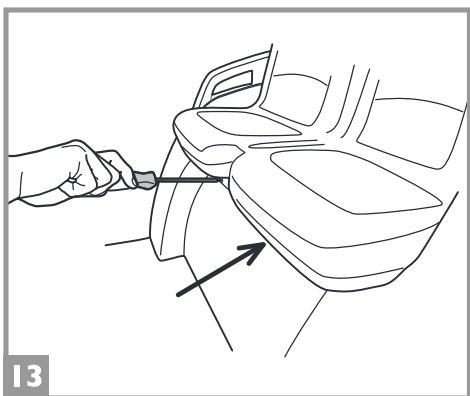
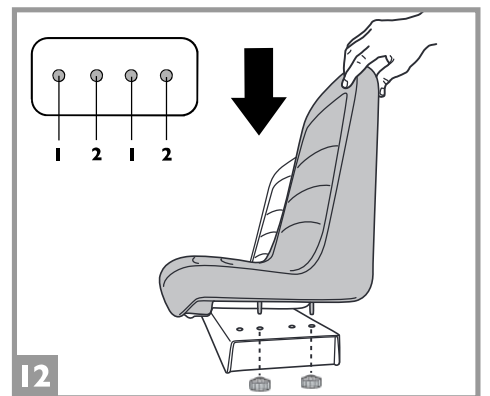
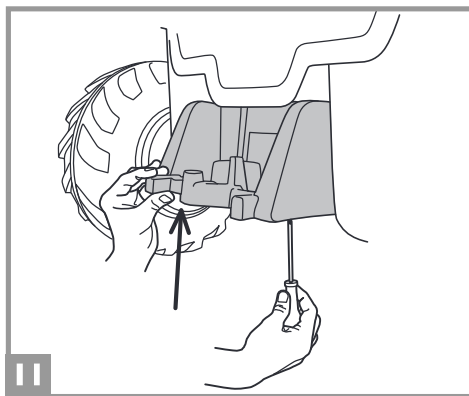
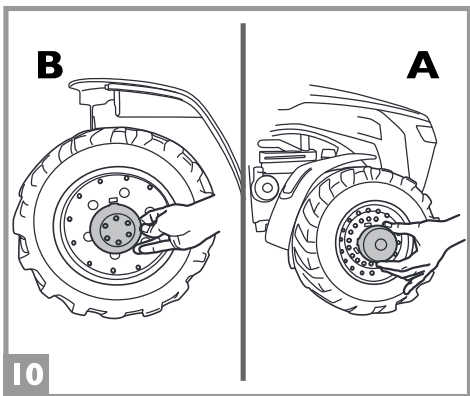
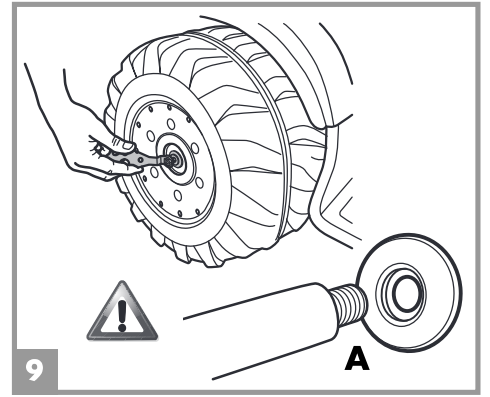
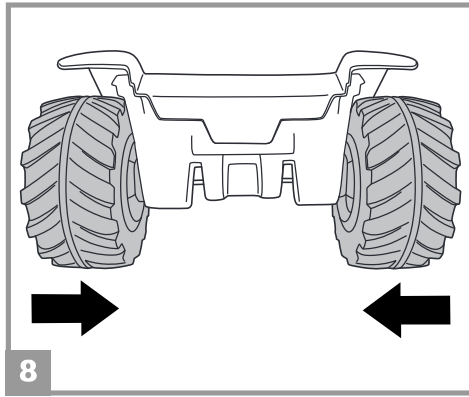
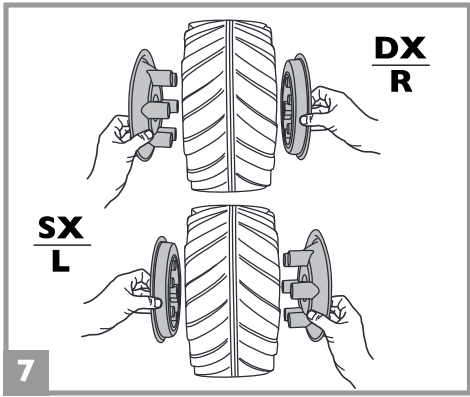
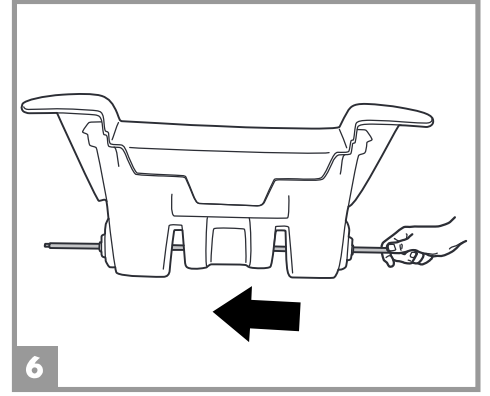
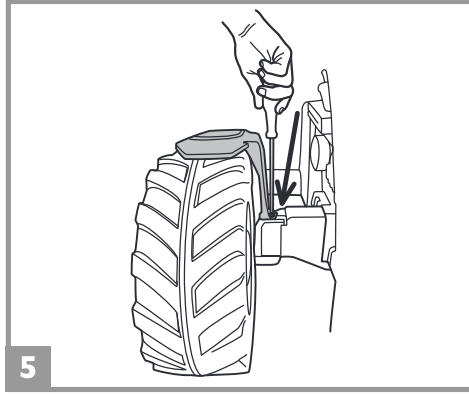
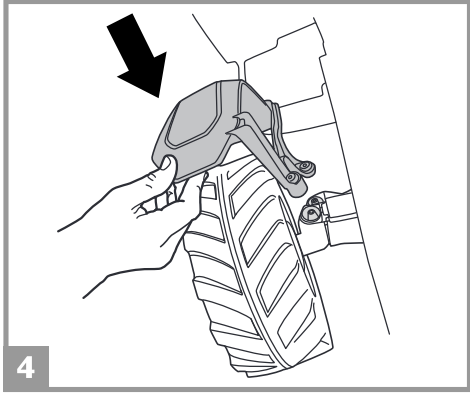
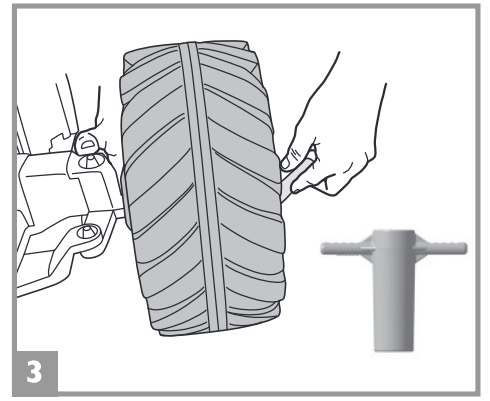
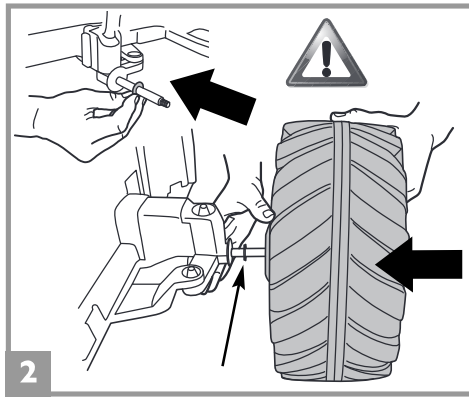
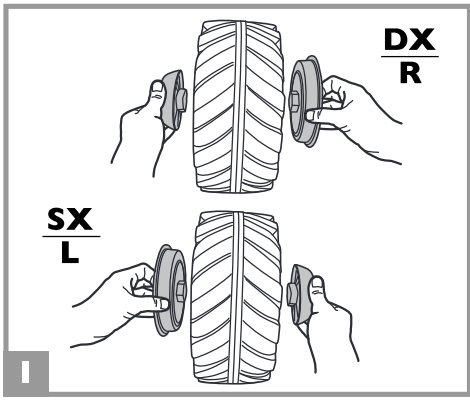
KULLANIM VE BAKIM **TR**

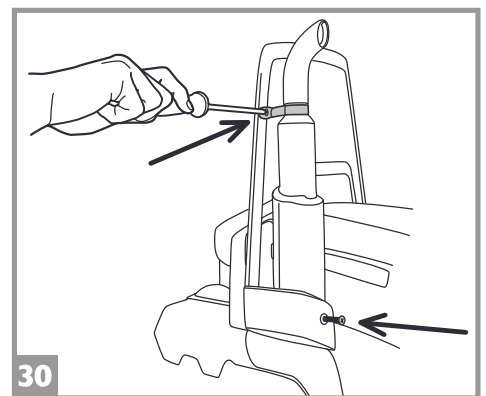
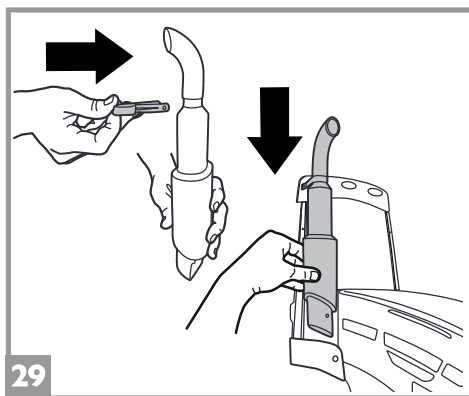
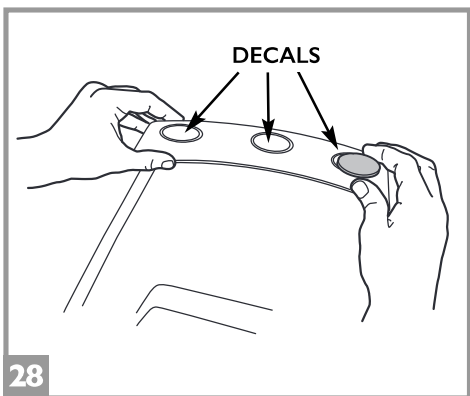
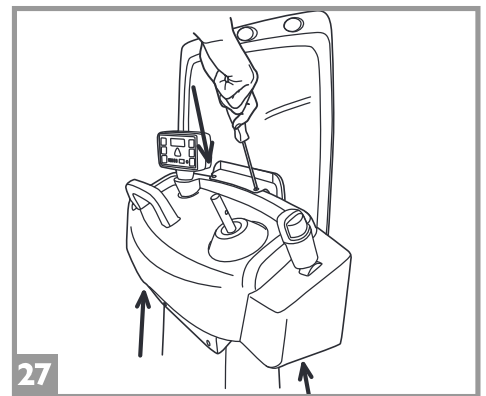
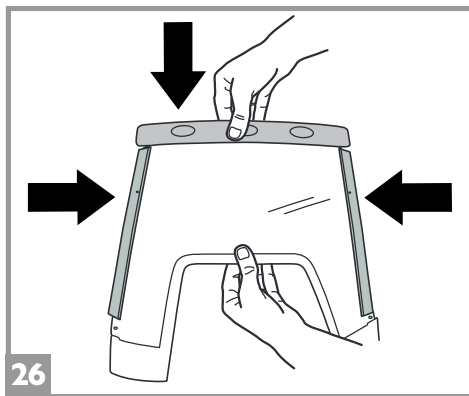
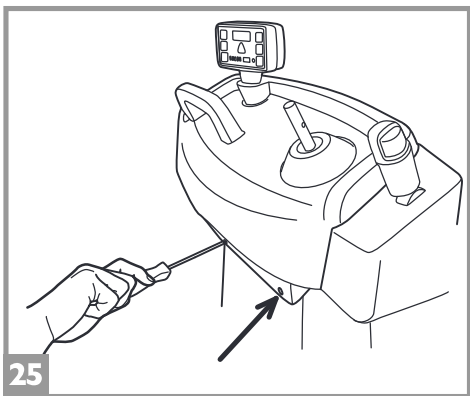
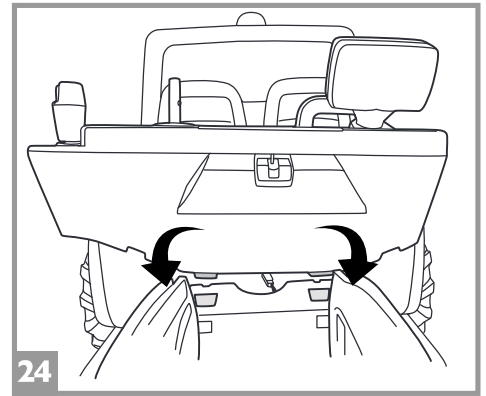
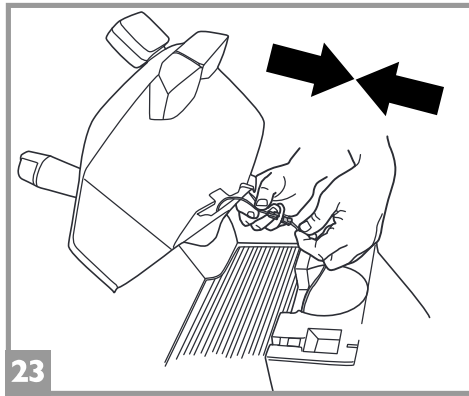
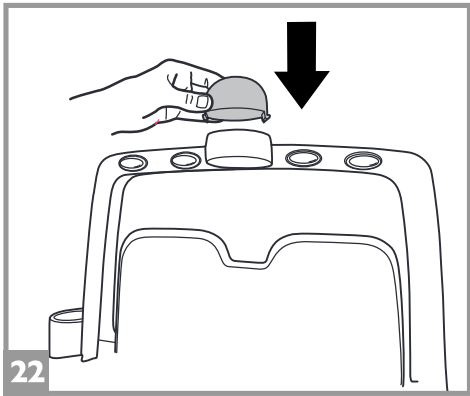
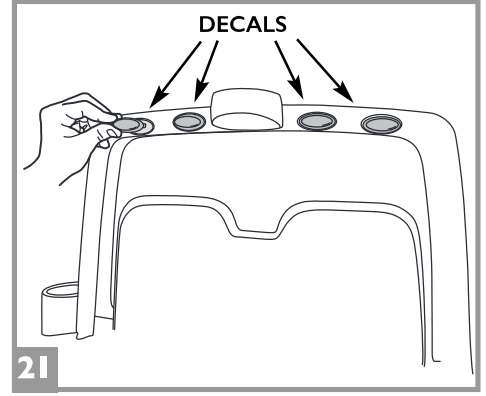
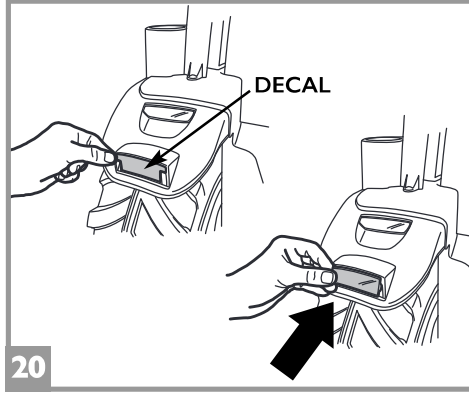
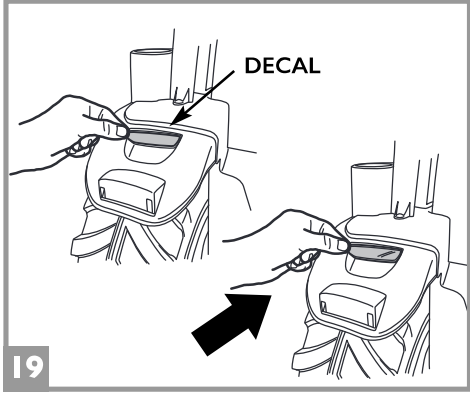
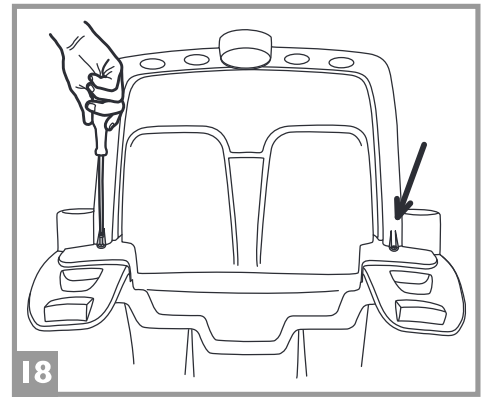
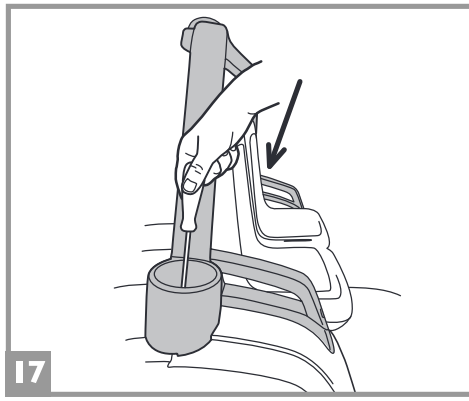
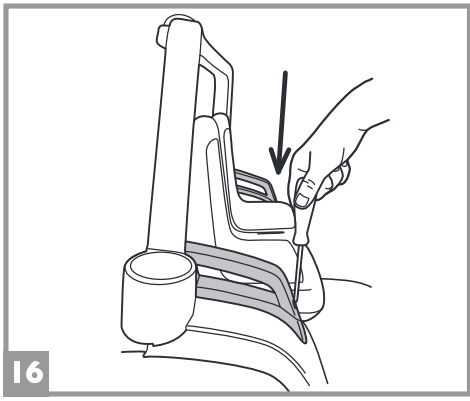
ЭКСПЛУАТАЦИЯ И УХОД **RU**

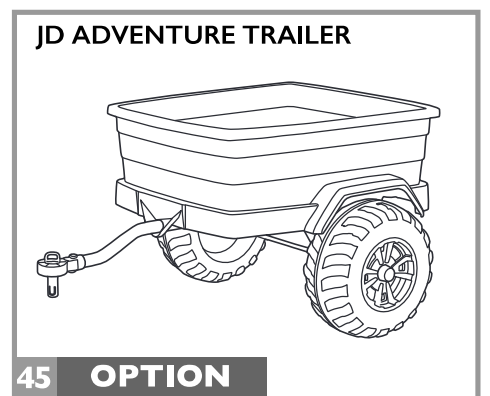
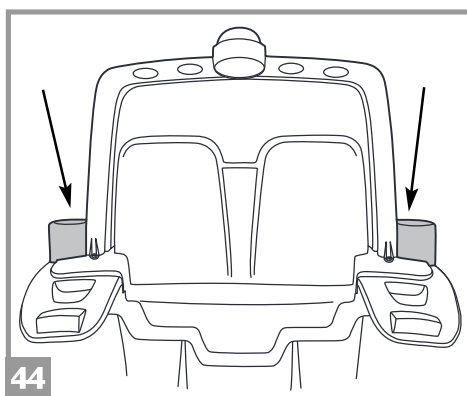
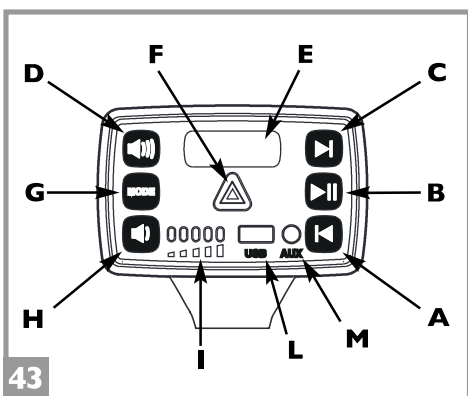
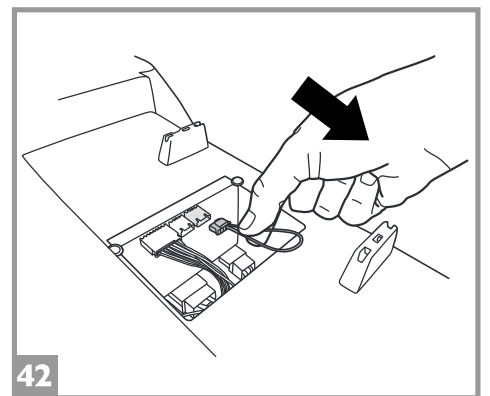
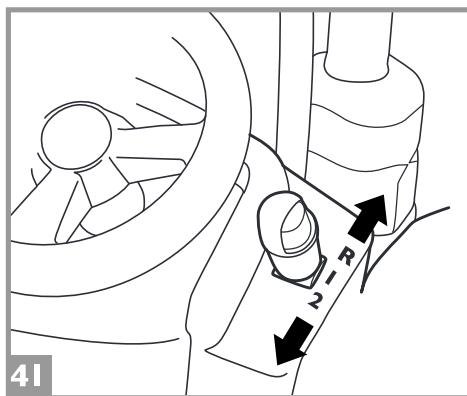
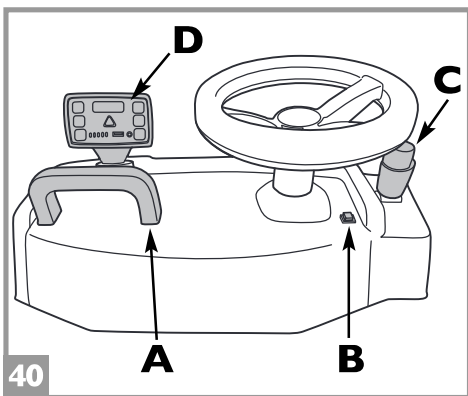
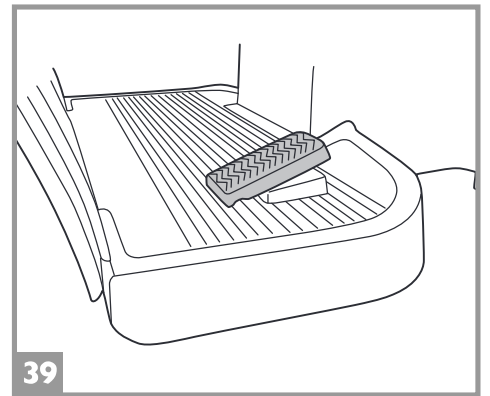
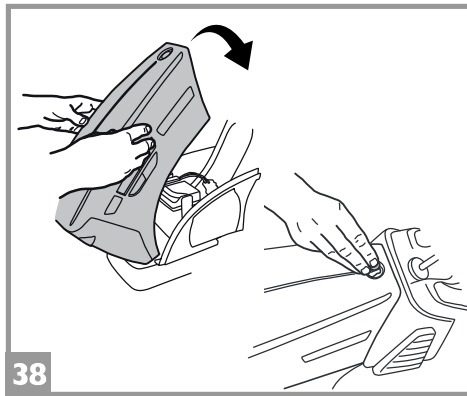
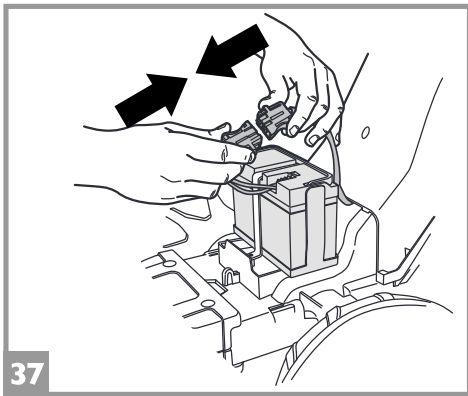
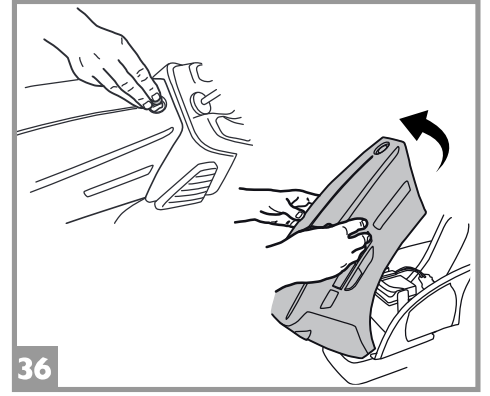
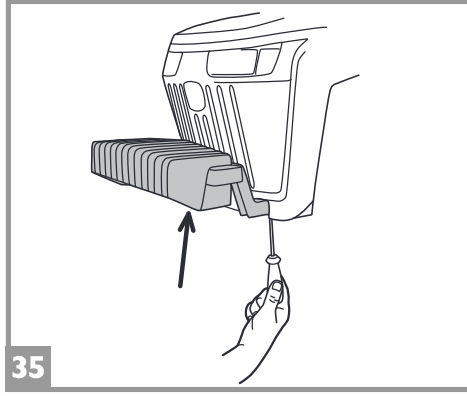
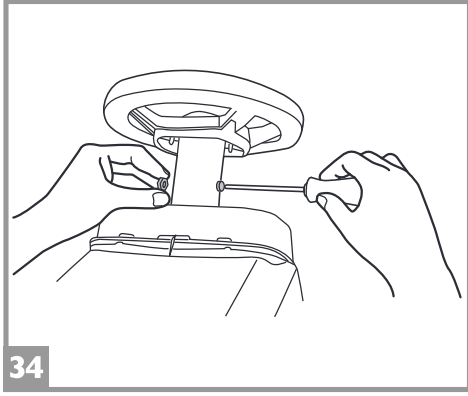
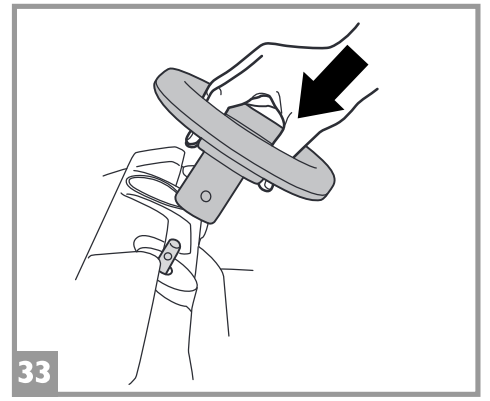
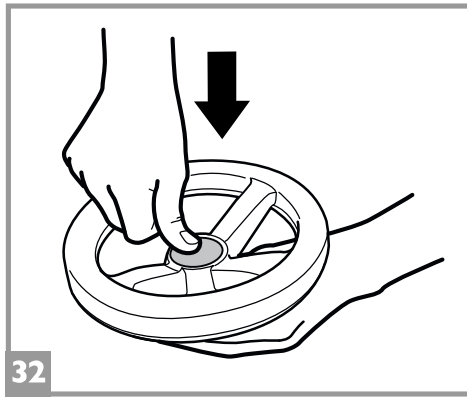
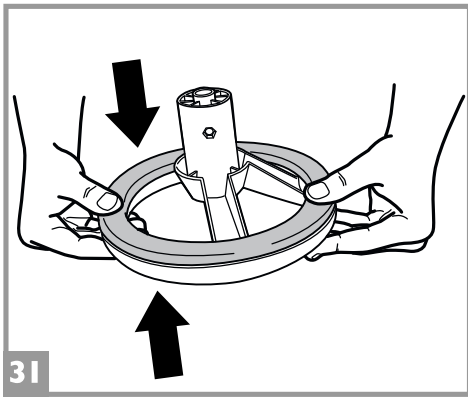
ΧΡΗΣΗ ΚΑΙ ΣΥΝΤΗΡΗΣΗ **EL**

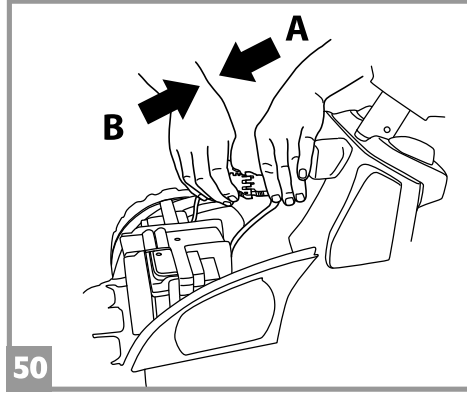
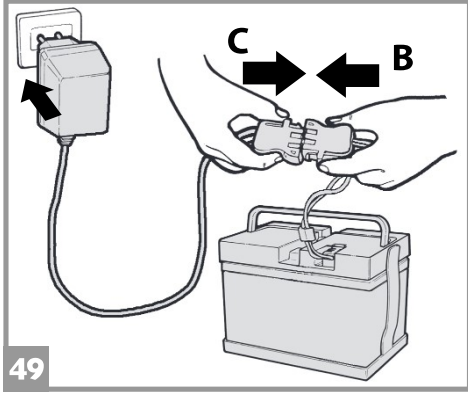
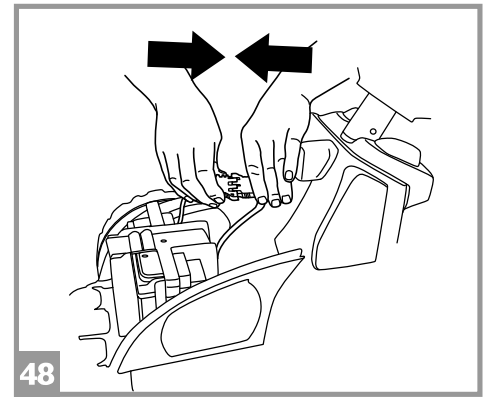
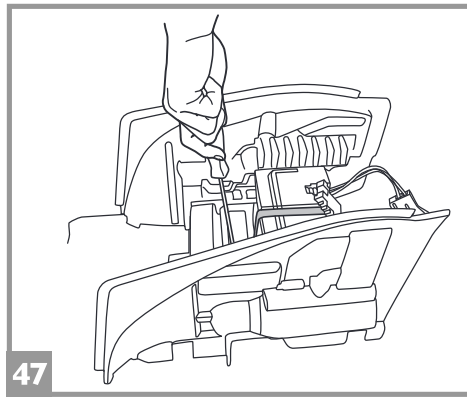
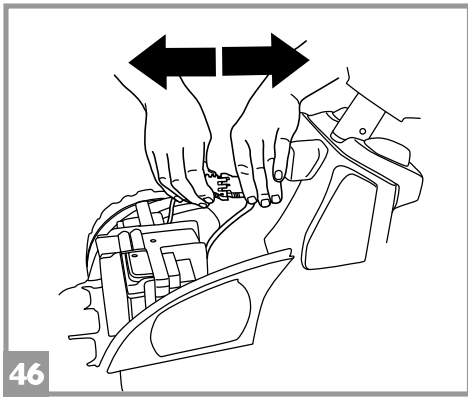
الاستخدام و الصيانة **AR**











John Deere DUAL FORCE

cod. IGOD05500

PEG PEREGO S.p.A.

via A. De Gasperi, 50 20862 ARCORE (MB) ITALIA

tel. 039-60881 fax 039-615869

assistenza: tel. 039-6088213

numero verde :



PEG PEREGO U.S.A Inc.

3625 INDEPENDENCE Dr. FORT WAYNE IN 46808

phone 260-4828191 fax 260-4842940

call us toll free 1-800-728-2108

llame USA gratis 1-800-225-1558

PEG PEREGO CANADA Inc.

585 GRANITE COURT PICKERING ONT. CANADA L1W3K1

phone 905-8393371 fax 905-8399542

call us toll free 1-800-661-5050

PegPerego

www.pegperego.com